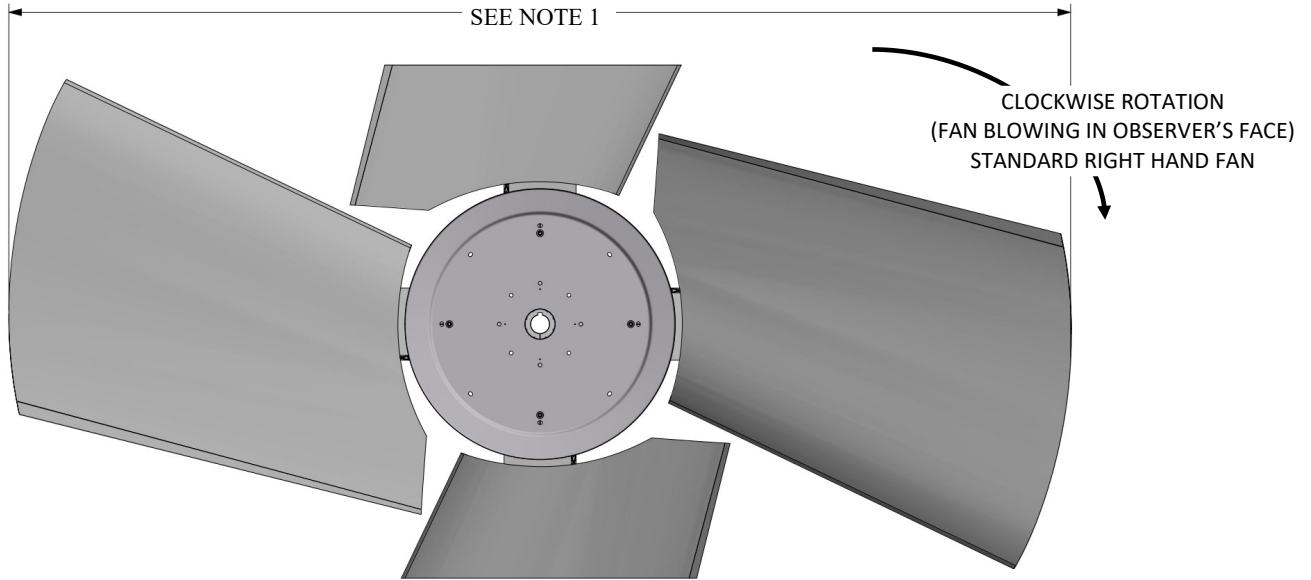
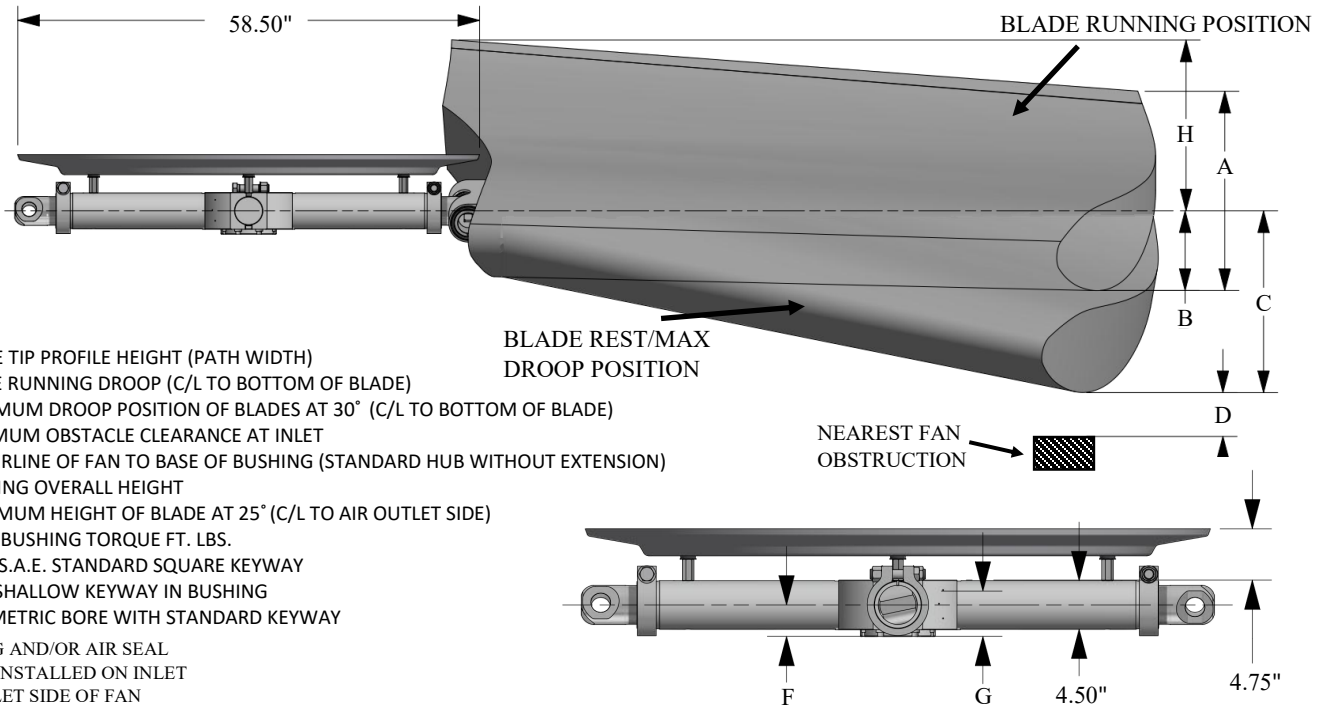


CLASS 10000 MAG SERIES 60

RH ROTATION



NOTE 1:
 MAXIMUM FAN DIAMETER EQUALS NOMINAL FAN DIAMETER.
 ADJUSTMENT OF ±1.5 INCHES POSSIBLE AT INSTALLATION



- A = BLADE TIP PROFILE HEIGHT (PATH WIDTH)
 - B = BLADE RUNNING DROOP (C/L TO BOTTOM OF BLADE)
 - C = MAXIMUM DROOP POSITION OF BLADES AT 30° (C/L TO BOTTOM OF BLADE)
 - D = MINIMUM OBSTACLE CLEARANCE AT INLET
 - F = CENTERLINE OF FAN TO BASE OF BUSHING (STANDARD HUB WITHOUT EXTENSION)
 - G = BUSHING OVERALL HEIGHT
 - H = MAXIMUM HEIGHT OF BLADE AT 25° (C/L TO AIR OUTLET SIDE)
 - L = MAX . BUSHING TORQUE FT. LBS.
 - # = WITH S.A.E. STANDARD SQUARE KEYWAY
 - * = WITH SHALLOW KEYWAY IN BUSHING
 - o = MAX METRIC BORE WITH STANDARD KEYWAY
- BUSHING AND/OR AIR SEAL
 CAN BE INSTALLED ON INLET
 OR OUTLET SIDE OF FAN

SHAFT (BY OTHERS) MUST
 FULLY ENGAGE BUSHING

DIA	WITH FAN OPERATING AT 10000 FT/MINUTE BLADE TIP SPEED			PERCENT BLADE LOADING		C	D	H	MAX BLADES	BUSHING TYPE	MAX # BORE	MAX * BORE	MAX o BORE	F	G	L
	BLADE ANGLE			100%	75%											
	15°	20°	25°													
19'	27.4"	33.0"	38.8"	27.7"	25.4"	33.9"	6"	34.7"	6	Z	5.000"	5.500"	140	3.7"	4.0"	18000